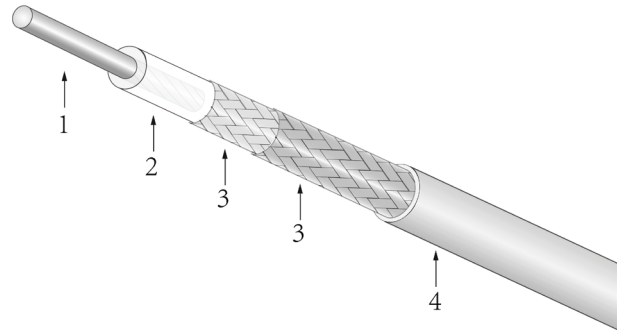


# RG 304

M17 Part Number: M17/112-RG304

## Cable Construction

Item	Description	Diameter
1 Inner Conductor	Silver Plated Copper	1.50
2 Dielectric	Extruded PTFE	4.70
3 Outer Conductor	Double Braid of Silver Plated Copper Wire	6.17
4 Jacket	Extruded FEP	7.11



## Electrical Cable Characteristic

Impedance	50 Ohm
Operating Frequency	12.4 GHz
Capacitance	95.1 pF/m
Velocity of Propagation	69.5%
Max. Operating Voltage	3000 VRMS

## Mechanical Cable Characteristic

Temperature Range	-55 ~ +200 °C
Min. Bending Radius - Static	—
Weight	140 g/m
RoHS Compliant	Yes

## Cable Attenuation & Power

Frequency (GHz)	Attenuation (dB/m)	Power (W)
0.100	0.082	3100
0.400	0.174	1450
1.000	0.289	870
3.000	0.551	400
5.000	0.755	300
12.400	—	—